

THE IBT-SERIES SQUARE DRIVE HYDRAULIC TORQUE WRENCHES ARE COMPACT, EASY TO USE AND VERSATILE

The titanium-aluminium alloy and super high strength steel alloy construction means increased strength and durability while minimising weight. IBT-Series torque wrenches are available in 3/4" to 2 1/2" square drive models, with a torque range from 112 to 72,000 Newton metres (82 to 53,280 ft/lbs). All models are fitted with a 360° swivel coupler and screw couplings.



IBT Torque Range
112 - 72,000 Nm

Max Operating Pressure
700 Bar

BOLTING SOLUTIONS

360°/ 180° SWIVEL COUPLERS

with screw couplings

HIGH STRENGTH

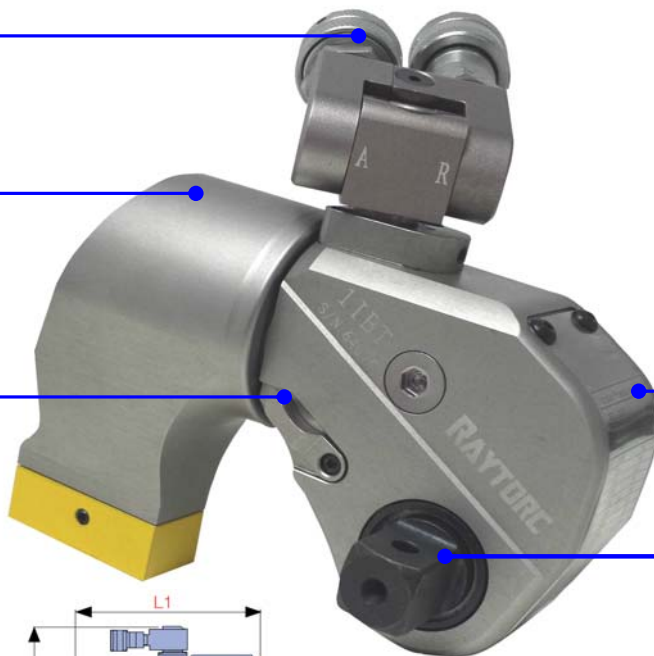
titanium aluminium alloy body

REACTION PAWL DESIGN

for enhanced efficiency & accuracy

ACCURACY

within + / - 3%

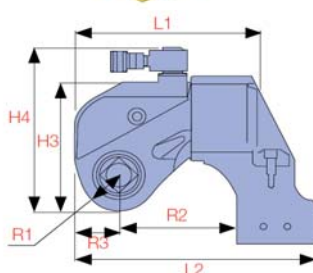
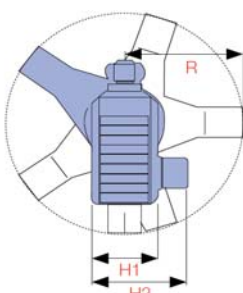


EXTENDED REACTION ARM
available as an optional extra

TORQUE CHART
Laser - engraved

REVERSIBLE SQUARE DRIVE
for tightening and loosening applications

IMPACT & ALLEN KEY SOCKET
available as an optional extra



Model	Square Drive	Range of Torque (Nm) @ 700 bar	L1	L2	H1	H2	H3	H4	R	R1	R2	R3	Weight (kg)
0.7 IBT	3/4"	112 - 1,120	111	140	42	66	76	109	75	20.5	68.3	25	1.8
1IBT	3/4"	183 - 1,837	145	174	50	72	96	131	91.5	26	85	33.5	2.5
3IBT	1"	451 - 4,512	178	230	68	95	127	176	123.5	34	114	40	5.0
5IBT	1.1/2"	752 - 7,528	211	271	80	123	149	199	140	39	137	46.5	8.0
8IBT	1.1/2"	1,078 - 10,780	222	293	90	134	167	217	165	47	153	52	11.0
10IBT	1.1/2"	1,551 - 15,516	246	318	100	142	182	232	178	51	154	58.5	15.0
20IBT	2.1/2"	2,666 - 26,664	308	384	120	183	220	270	213	59	186	71	26.5
25IBT	2.1/2"	3,472 - 34,725	323	401	137	200	247	297	228	66	199	72.5	35.0
35IBT	2.1/2"	4,866 - 48,666	373	466	153	216	282	332	243.5	77	241	89.5	50.0
50IBT	2.1/2"	7,200 - 72,000	400	516	160	223	291	341	258	81	259	97.5	87.0